

## XF-5013



The Mytho S XF-5013 Black Edition is Melbourne Packaging's top of the range low maintenance pallet wrapping machine, our XF-5013S configuration is complete with the PRS film carriage allowing users to save thousands on wrapping costs. The Mytho S is a industry 4.0 capable machine with LED touchscreen interface and advanced wrapping options and parameter adjustments.

### Main Features

- Auto height detection
- Powered prestretch head unit, electronically programable.
- 2000kg Capacity
- 2450mm & 2700mm Wrapping height models available.
- 1650mm turntable for AU pallets.
- Touchscreen Interface
- 6 Programable Cycles
- Semi auto and manual mode
- Adjustable turntable speed
- Adjustable top and bottom wrap number
- Adjustable amount of wrapping applied
- Fully enclosed mast



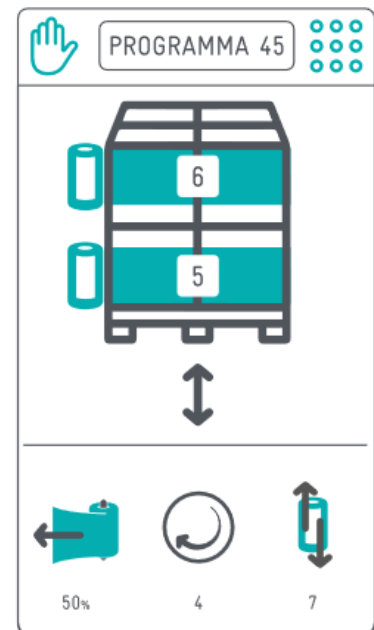
### Technical features

<b>Max load weight</b>	2000kg	<b>Load height sensing photocell</b>	Yes
<b>Max wrapping height</b>	2450mm	<b>Emergency Mushroom stop</b>	Yes
<b>Turntable Height</b>	78mm	<b>Beeper at start and stop</b>	Yes
<b>Turntable Diameter</b>	1650mm	<b>Safety Crush device under carriage</b>	Yes
<b>Power</b>	230v/10amp AU STD plug.	<b>Semi auto Mode</b>	Yes
<b>Film carriage</b>	200% PRESTRETCH	<b>Manual Mode</b>	Yes
<b>Film core Size</b>	76mm	<b>Inverters</b>	Lenze
<b>Turntable Drive</b>	Chain	<b>Forklift transportable</b>	Yes
<b>Mast Drive</b>	Internal Chain		
<b>Limit switch Location</b>	Inside of mast.		
<b>Size L X W X H</b>	2300MM X1650MM X 2565MM		

The Mytho S is a high customizable wrapping platform, specifications such as turntable size, wrapping height and many other options including interchangeable carriages, can be ordered from the factory.

### PARAMETERS ADJUSTABLE FROM CONTROL PANEL:

- Bottom pallet wrapping rounds from **1 to 10**
- Top pallet wrapping rounds from **1 to 10**
- Rotation speed adjustable from **5 to 12 rpm**
- Spool carriage speed **upwards** and **downwards** independently adjustable
- Spool carriage speed **upwards** speed from **1,3 up to 5,4 m/min**
- Spool carriage speed **downwards** speed from **1,3 up to 5,4 m/min**
- All function parameters settable on display
- Photocell sensing delay
- All function parameters settable on display
- Weight of film used (Option on PRS – PS)

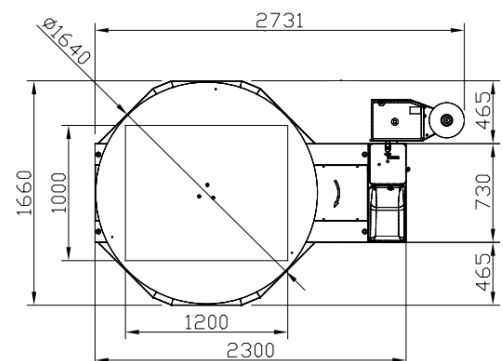


### BASIC CYCLES SELECTABLE FROM CONTROL PANEL:

- Double cycle (Upwards / Downwards)
- Single cycle (Only upwards or only downwards)
- Top sheet cycle
- Wrapping cycle with altimeter (Photocell Off)
- Wrapping cycle with start and stop height pre-programmed
- Wrapping cycle with reinforcement and settable number of wraps
- Wrapping cycle with step rising of spool carriage
- Manual wrapping programme
- Push-buttons for manual functions

### POWERED PRESTRETCH(PRS) FILM CARRIAGE:

- Capable of 150%-250 stretch (350% with PS Carriage)
- Electronically settable tension
- Saves upto 50% on wrapping costs
- Low maintenance and minimal parts design



**MADE IN ITALY**

**ATLANTA**  
STRETCH