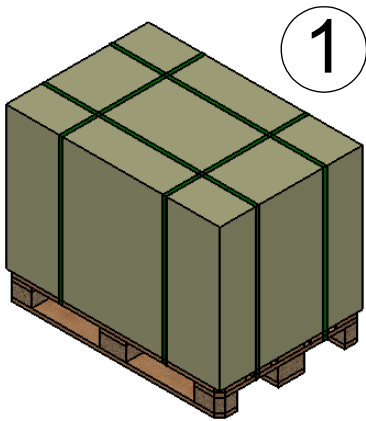
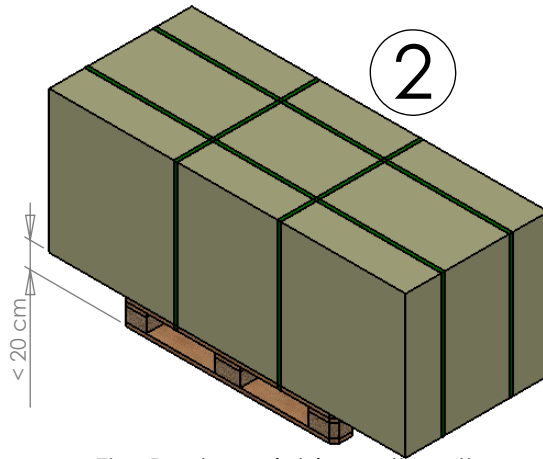


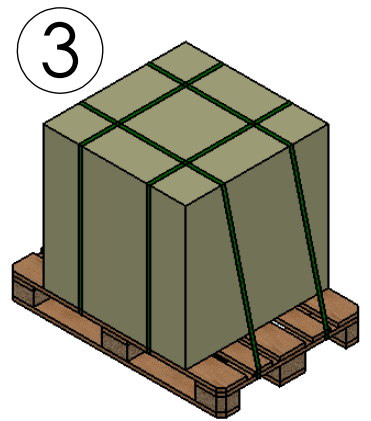
# What is possible to be strapped with the ErgoPack system



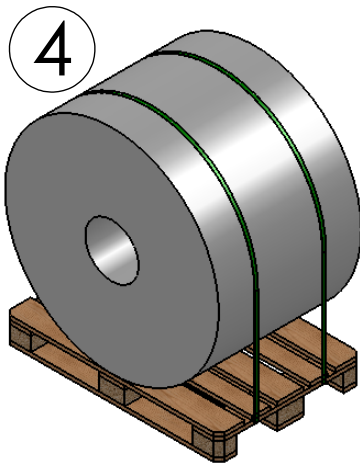
1  
Size of the package corresponds to the size of the pallet.



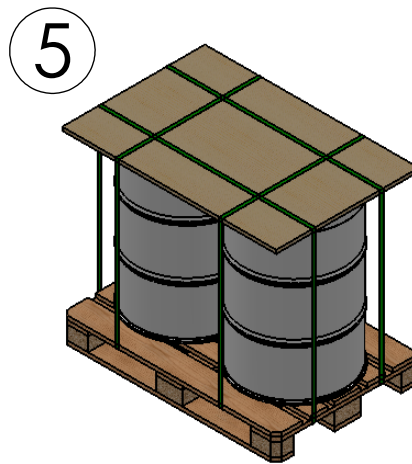
2  
The Package is bigger than the pallet and protrude beyond the pallet. The protruding lower edge is less than 20cm from the floor. (see fig. 11)



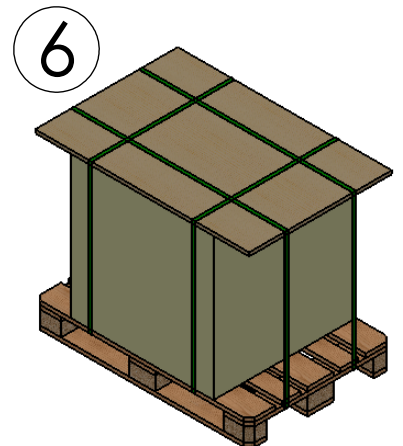
3  
Package is smaller than the pallet.



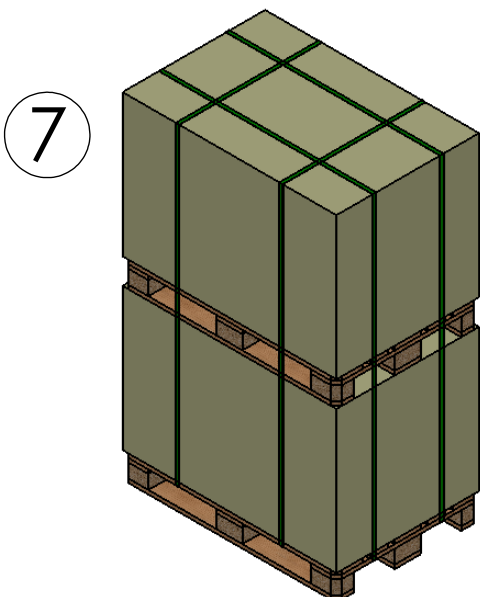
4  
Rolls on pallets. The size of the roll is smaller or equal to the size of the pallet. The roll doesn't protrude over the pallet. (see fig. 10)



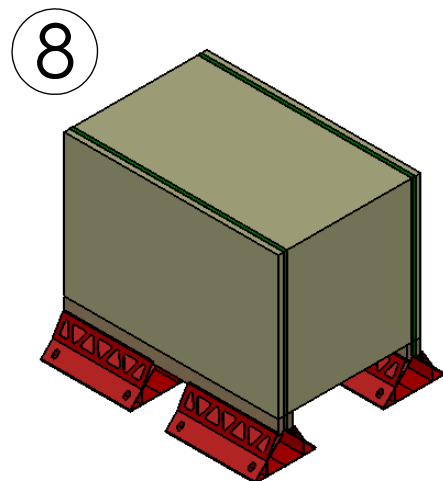
5  
Rolls or barrels on a pallet with a cover panel on top. The cover panel doesn't protrude over the pallet. (Total height max. 1,20m)



6  
Package with a cover panel smaller than the pallet. The cover panel doesn't protrude over the pallet. (Total height max. 1,20m)

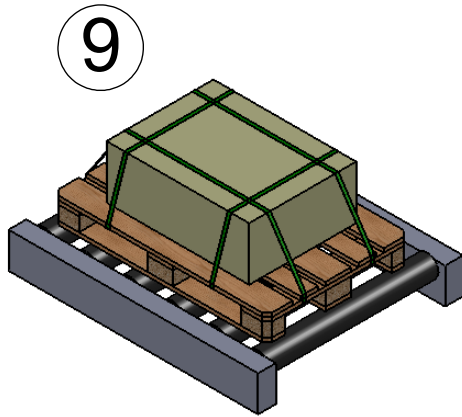


7  
Two pallets on each other. Both pallets are strapped together. (see fig. 12)

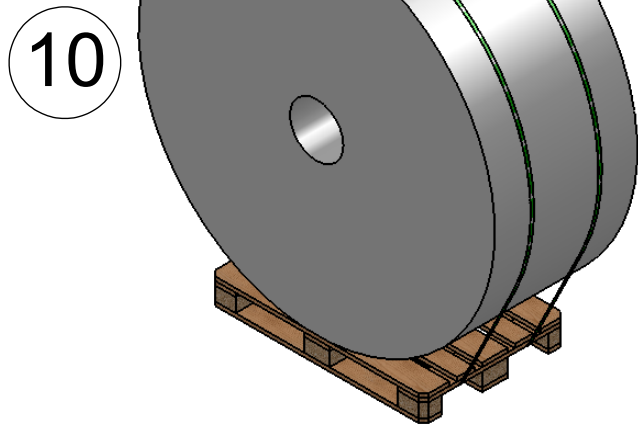


8  
Wodden bars which should be strapped into the package. Possible with the sledge-tunnel developed especially for this case.

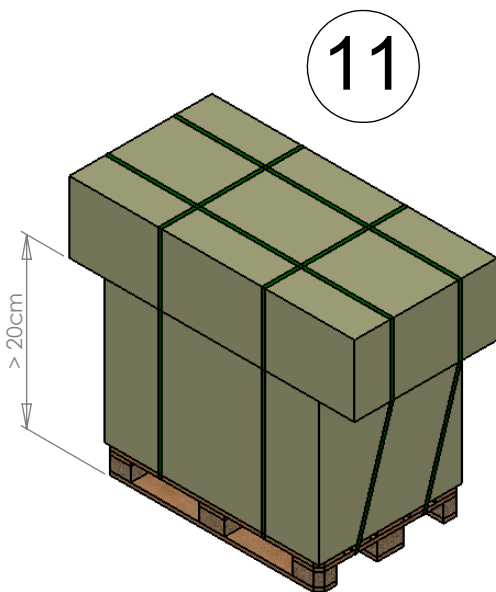
# What is not possible to be strapped with the ErgoPack system!



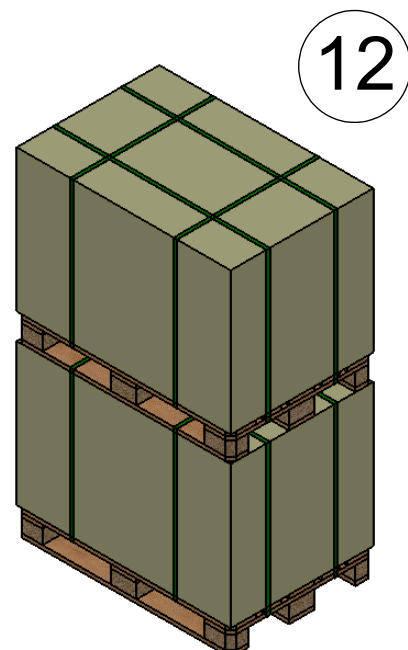
The pallet stands on a roller conveyor or on a carriage. The pallet and the ErgoPack strapping machine have to be on the same level.



Rolls on pallets. The size of the rolls is bigger than the pallet. The roll protrudes over the pallet. (see fig. 4)



The package is bigger than the pallet and protrudes beyond the pallet. The protruding lower edge is more than 20cm from the floor. (see fig. 2)



Two pallets on each other. Both pallets are strapped separately. (see fig. 7)